

# INSTALLATION INSTRUCTIONS

## FRONT INNER FENDERS



**APPLICATION:**  
2007-2018 Jeep Wrangler JK (excl. JL)  
**PART NUMBER:**  
62-11005

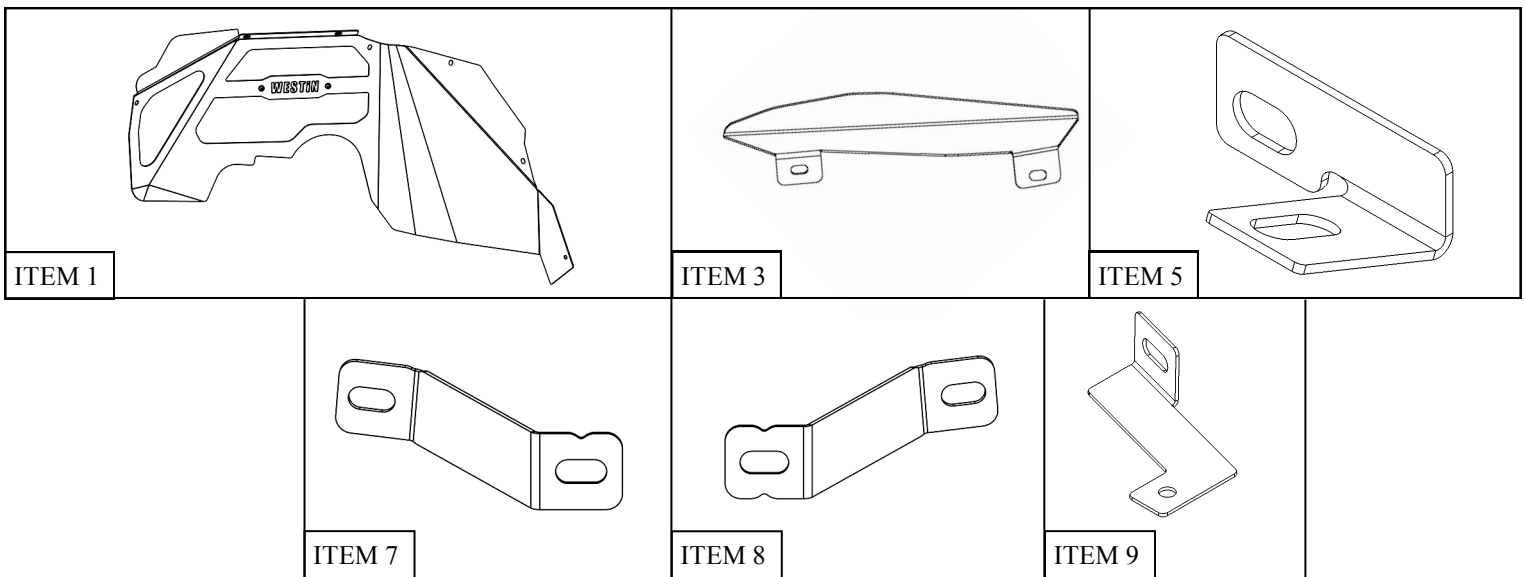
### WARNING

Part # 62-11005 is designed to fit with Westin Tube Fenders (Part # 62-1005). If reusing the factory fenders, **excessive** modification to the factory parts is required. Modification may also be required for other aftermarket fenders

### CONTENT

ITEM	QUANTITY	DESCRIPTION	TOOLS NEEDED
1,2	2	FRONT INNER FENDER ASSEMBLY, DRIVER (1) AND PASSENGER (2)	10MM SOCKET
3,4	2	COVER PANEL, DRIVER (3) AND PASSENGER (4)	10MM WRENCH
5,6	2	FRONT MOUNTING BRACKET, DRIVER (5) AND PASSENGER (6)	ALLEN WRENCH
7,8	2	REAR MOUNTING BRACKET A, DRIVER (7) AND PASSENGER (8)	RATCHET
9,10	2	REAR MOUNTING BRACKET B, DRIVER (9) AND PASSENGER (10)	TORQUE WRENCH
11	8	M6 SERRATED FLANGE NUT	
12	2	M6 HEX HEAD CAP SCREW	
13	12	SHORT M6 BUTTON HEAD SCREW	
14	6	MID-LENGTH M6 BUTTON HEAD SCREW	
15	2	LONG M6 BUTTON HEAD SCREW	
16	16	SMALL M6 FLAT WASHER	
17	4	LARGE M6 FLAT WASHER	
18	20	M6 SPLIT LOCK WASHER	
19	8	M6 U-CLIP	

**ANTI-SEIZE LUBRICANT MUST BE USED ON ALL STAINLESS STEEL FASTENERS TO PREVENT THREAD DAMAGE AND GALLING**



**WESTIN** Westin Automotive Products, Inc.  
320 W. Covina Blvd  
San Dimas, Ca. 91773

Thank you for choosing Westin products  
for additional installation assistance please call  
Customer Service (800) 793-7846  
www.westinautomotive.com

## WARNING

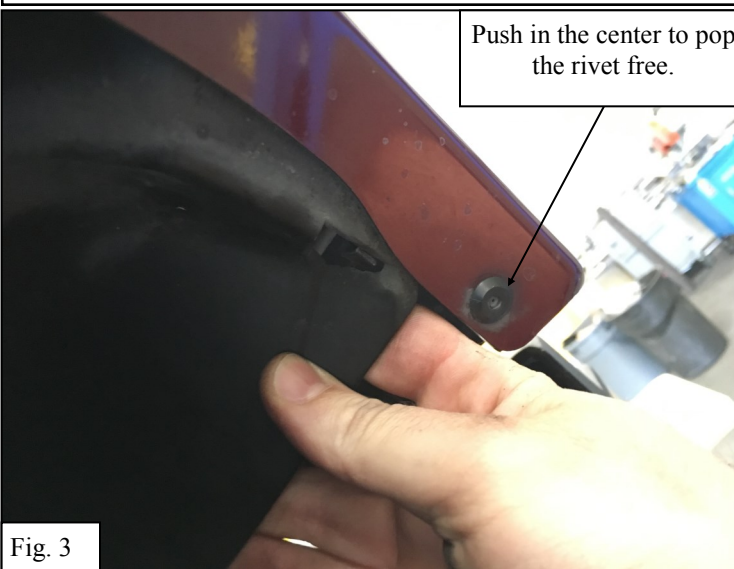
Part # 62-11005 is designed to specifically fit with Westin Tube Fenders (Part # 62-1005). If reusing the factory fenders, **excessive** modification the factory parts is required. Modification may also be required for other aftermarket fenders.

## PROCEDURE

1. Remove contents from box, verify if all parts listed are present and free from damage.  
Carefully read and understand all instructions before attempting installation.  
**Failure to identify damage before installation could lead to a rejection of any claim.**
2. Begin by removing the factory fender flares (if equipped). *Note:* If Westin Fenders are equipped, **do not** remove.
3. First remove the bolts and tree clips holding the fender/fender liner in place. See **Figures 1 & 2**.



4. Remove the plastic rivets holding the fender liner to the fender by pushing in the center then pulling out. See **Figure 3**.
5. Remove the fender liner.
6. Unplug the factory side marker light. See **Figure 4**.





7. Remove the bolt holding the fender to the body bracket. See **Figure 5**.
8. Remove the tree clip at the front of the fender. See **Figure 6**.
9. Remove the fender from the vehicle by pinching the white clips from the back side of the fender and pulling the fender away from the vehicle.



Fig. 5



Fig. 6

10. Attach the Cover Panel (3) to the Front Inner Fender Assembly (1) using the supplied M6 hardware (13,11,16,18) and tighten hardware to 5-7 ft-lbs. See **Figures 7 & 8**.

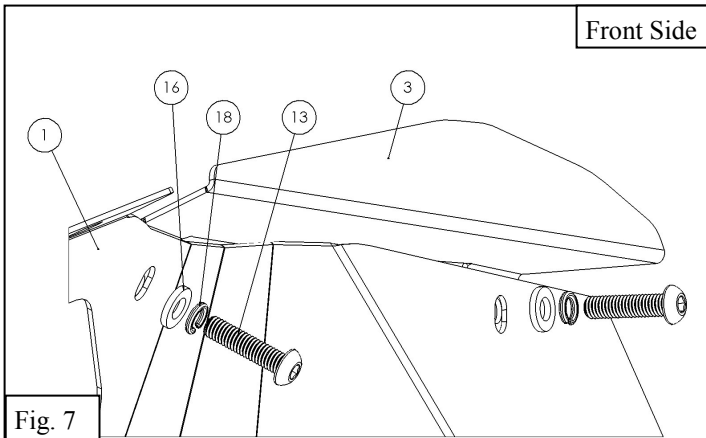


Fig. 7

Front Side

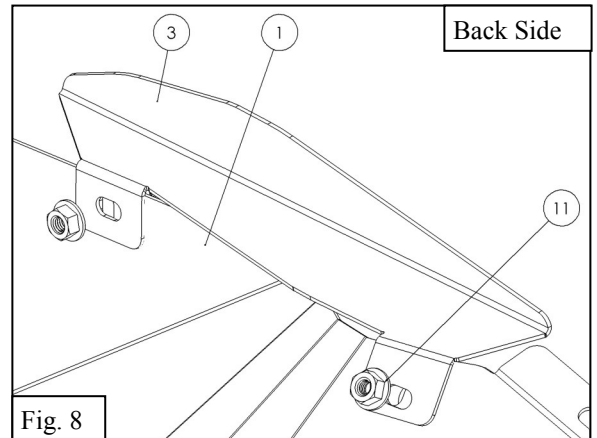


Fig. 8

Back Side

11. Attach 2 U-Clips (14) to the Front Mounting Bracket (5) and loosely mount it to the vehicle using the supplied M6 hardware (12,16,18) . See **Figures 9, 10 & 11**.



Fig. 9

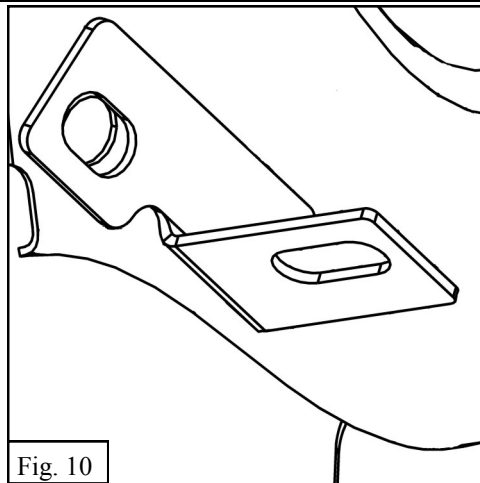


Fig. 10

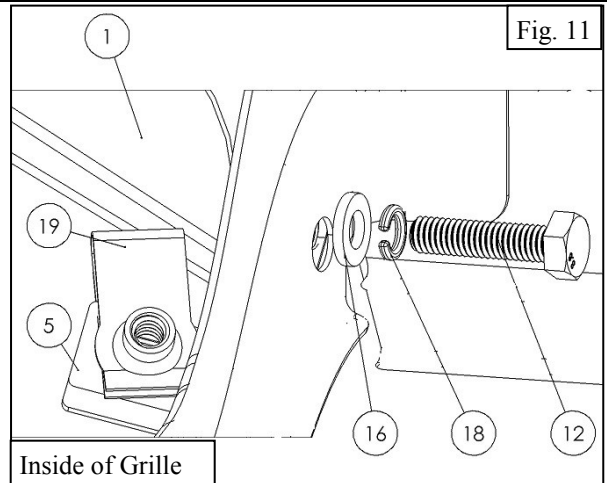
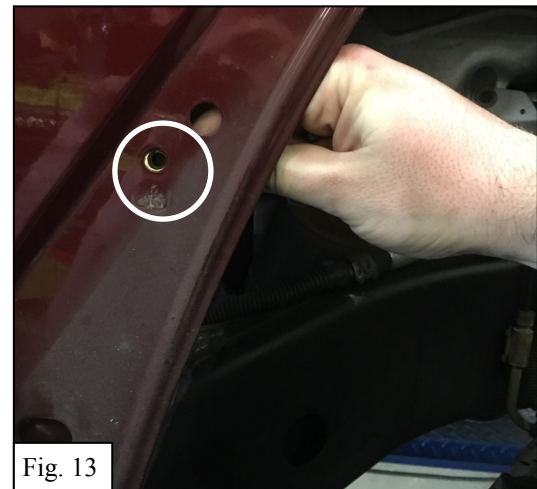
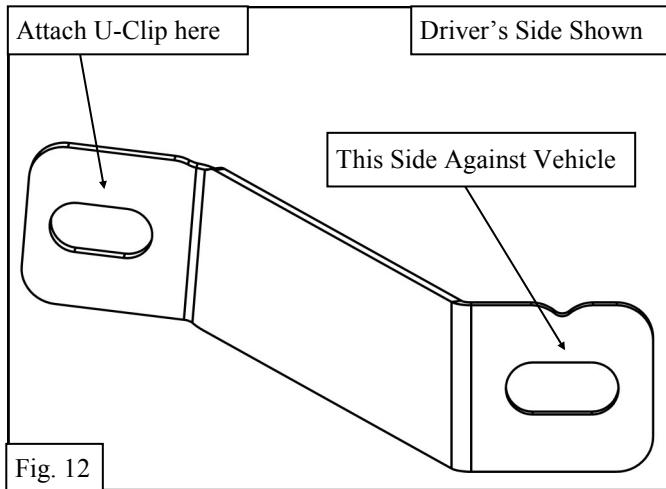


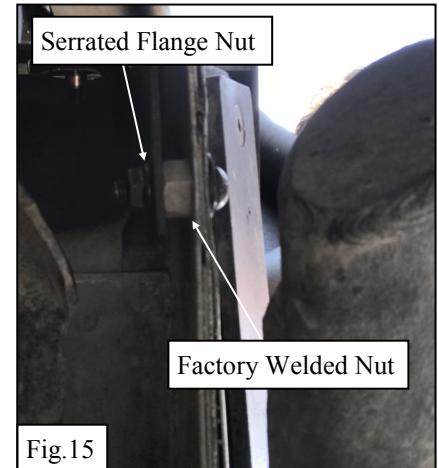
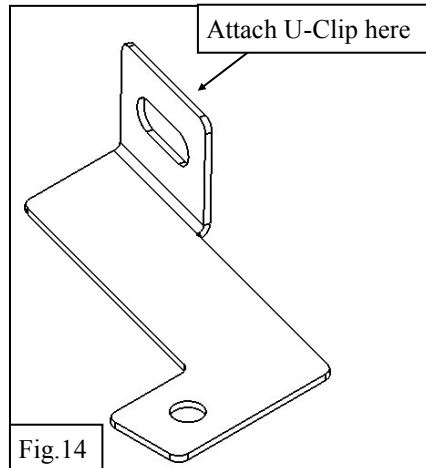
Fig. 11

Inside of Grille

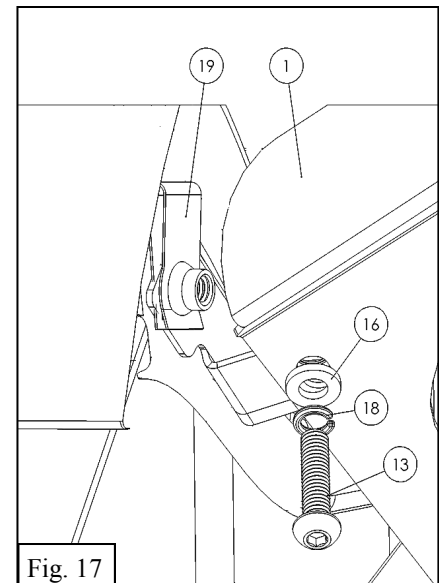
12. Attach 1 U-Clip (19) to the Rear Mounting Bracket A (7). See **Figure 12**.
13. Loosely mount Rear Mounting Bracket A (7) to the vehicle in the position shown using a Short M6 Button Head Screw (13), Small M6 Flat washer (16), M6 Split Lock Washer (18), and an M6 Serrated Flange Nut (11). **Note:** If used with Westin Tube Fender, use a Long M6 Button Head Screw (15). Place bracket with indentation against the vehicle. See **Figure 13**.



14. Attach 1 U-Clip (19) to the slot indicated on Rear Mounting Bracket B (9). See **Figure 14**.
15. The other end of the Rear Mounting Bracket B (9) will sit behind the welded OEM nut on the fender. Use the supplied M6 Mid-length Button Head Bolt (14) with a Large Flat Washer (17) and Lock Washer (18) to thread through the welded nut. Loosely install the Rear Mounting Bracket B (9) using an M6 Serrated Flange Nut (11). **Note:** OEM bolt and flat washer may be used. See **Figure 15**.



16. Lift the Front Inner Fender Assembly (1) into place and begin by loosely installing the supplied M6 Mid-Length Button Head Screw (14) along with a Lock Washer (18) and Flat Washer (16) into the top two existing rivcets on the vehicle. See **Figure 16**.
17. Using Short Button Head Screws (13), loosely install the Front Inner Fender Assembly (1) to the Front Mounting Bracket (5), Rear Mounting Bracket A (7), and Rear Mounting Bracket B (9). **Note:** Adjust inner fender and brackets in order to line up inner fender and bracket slots. See **Figure 17**.
18. Tighten all M6 hardware to 5-7 ft-lbs.
19. Repeat **Steps 2-18** on the passenger side of the vehicle.





**Installation with Air Bump Stops:**

In order to use the Westin Inner Fenders with aftermarket air type bump stops, trimming to the inner fender is required. See **Figure 18**.



**CARE INSTRUCTIONS**

- REGULAR WAXING IS RECOMMENDED. DO NOT USE ANY TYPE OF POLISH OR WAX THAT MAY CONTAIN ABRASIVES
- STAINLESS STEEL PRODUCTS CAN BE CLEANED WITH MILD SOAP AND WATER. STAINLESS STEEL POLISH SHOULD BE USED TO POLISH SMALL SCRATCHES.
- GLOSS BLACK FINISHES SHOULD BE CLEANED WITH MILD SOAP AND WATER

**WESTIN** Westin Automotive Products, Inc.  
320 W. Covina Blvd  
San Dimas, Ca. 91773

Thank you for choosing Westin products  
for additional installation assistance please call  
Customer Service (800) 793-7846  
[www.westinautomotive.com](http://www.westinautomotive.com)



## WARNING



Failure to follow these instructions could lead to death, personal injury, and / or property damage.

### FASTENERS:

All Westin supplied fasteners must be utilized and installed in accordance with the installation instructions and apply torque to the specifications as defined. **DOUBLE CHECK ALL FASTENERS BEFORE INITIAL USE, AND PERIODICALLY IN THE FUTURE TO ENSURE PROPER FUNCTION AND SAFETY.**

### DRILLING:

Most Westin products do not require drilling for installation. If drilling is defined as required, use caution when drilling a vehicle. **FAILURE TO REVIEW AN AREA TO BE DRILLED MAY RESULT IN PERSONAL INJURY AND/OR INJURY TO OTHERS AS WELL AS VEHICLE DAMAGE.**

### EYE PROTECTION:

**ALWAYS WEAR SAFETY GLASSES OR GOGGLES DURING THE INSTALLATION PROCESS TO AVOID PERSONAL INJURY.**

### MAXIMUM TOWING/CARRYING CAPACITY:

The Westin Receiver Hitches will have a visible tow rating label affixed directly on the product. User should never exceed the vehicle manufacturers maximum tow and weight rating regardless of the capacity of the hitch. **FAILURE TO FOLLOW THESE GUIDELINES WILL VOID THE WESTIN WARRANTY AND MAY RESULT IN PERSONAL INJURY AND/OR INJURY TO OTHERS AS WELL AS VEHICLE DAMAGE.**



Westin Automotive Products, Inc.  
320 W. Covina Blvd  
San Dimas, Ca. 91773